

TEMPERATURE SENSOR

T-130a

Applications:

Temperature sensor for measurement of blocks surfaces, moving parts of machinery or other construction elements.

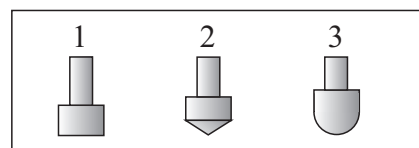
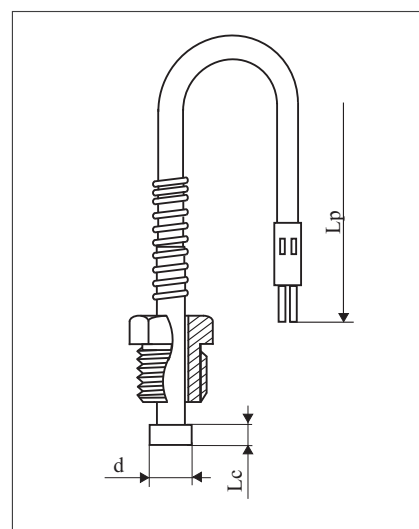
Technical Data

Measuring range	up to 400°C
Resistance element:	Pt100 up to PN-EN 60751+A2 Pt1000, Pt500
Protection tube material	stainless steel 1H18N9T (1.4541)
Connecting cable	insulation teflon-overbraid (standard) others
Connection line	2, 3 or 4 wire



Ordering code

T	-	130a	-	-	-	-	-	-	-	-	-	-	-	-	-	-	-	-	-
Protection tube dia. d		∅ 5 mm		5															
Protection tube length Lc		5mm		5															
Cable length Lp		1,5 m		1,5															
Process connection dimensions		M10x1		M10x1															
Connection line		2-wire, 3-wire, 4-wire		2															
Ending type		ending 1, 2, 3, 4		e.g. 1															
Tolerance		class - A, B		e.g. B															
Measuring insert		Pt100, 2xPt100, others		e.g. Pt100															
Connecting cable		1 - insulation teflon-overbraid		1															
		2 - insulation teflon-silicone																	
		3 - insulation silikon - silikon																	
		4 - insulation PVC																	
		5 - insulation teflon-teflon																	
		6 - insulation fiberglass x 2 - overbraid																	
		others - table of cables																	
Operating temperature		80°C, 200°C, others		e.g. 200°C															



Order example:

T-130a-5-5-1,5-M10x1-2-1-B-Pt100-1-200°C - sensor of protection tube diameter d=5 mm, length Lc=5 mm, length Lp=1,5 m, with thread M10x1, 2-wire, ending type 1, class B, Pt100, connecting cable insulation teflon-overbraid, operating temp. 200°C.